
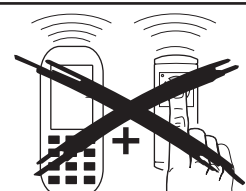


1

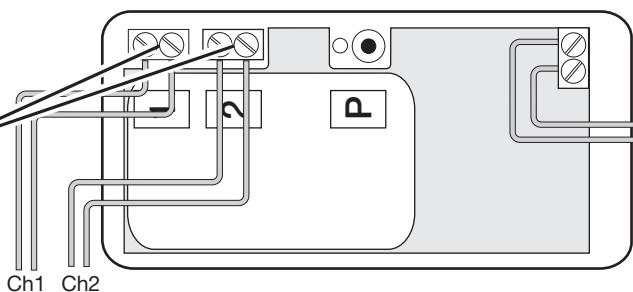
max.
500 W/ 250 V AC
2,5 A/ 30 V DC



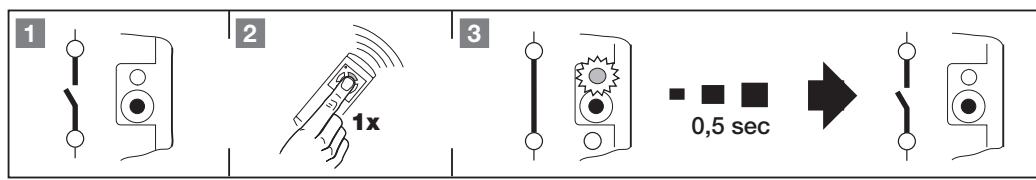
12...24 V
AC/DC
max. 50 mA



GSM 900 868 MHz

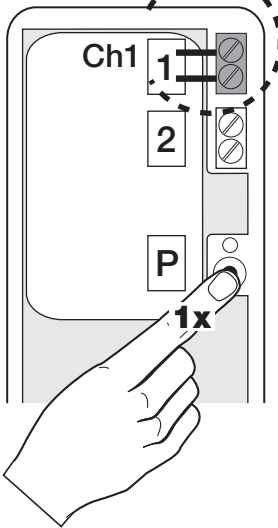


HET24

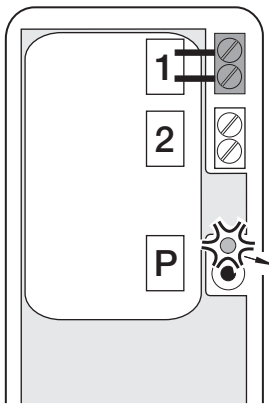


2

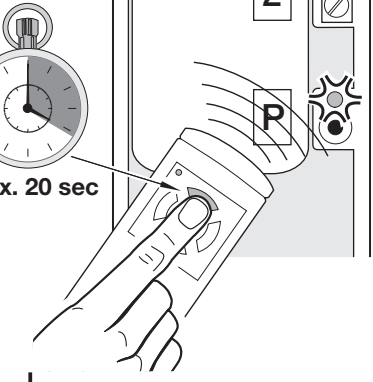
1



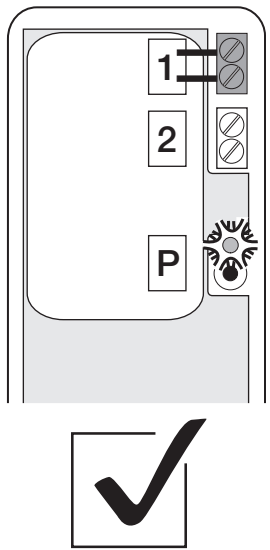
2




3



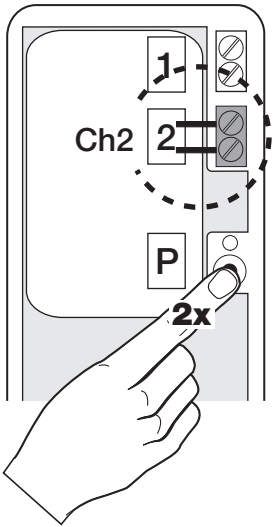
4



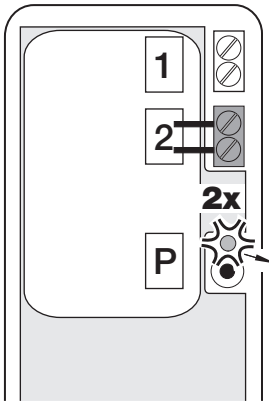


3

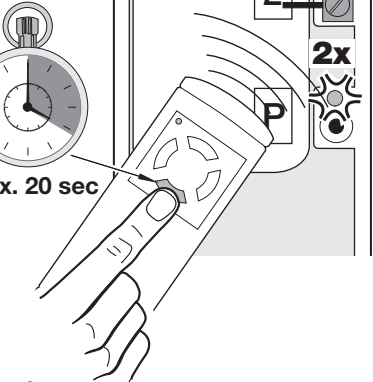
1



2



3



4

